



GKH-R410 U-MATCH CASSETTE

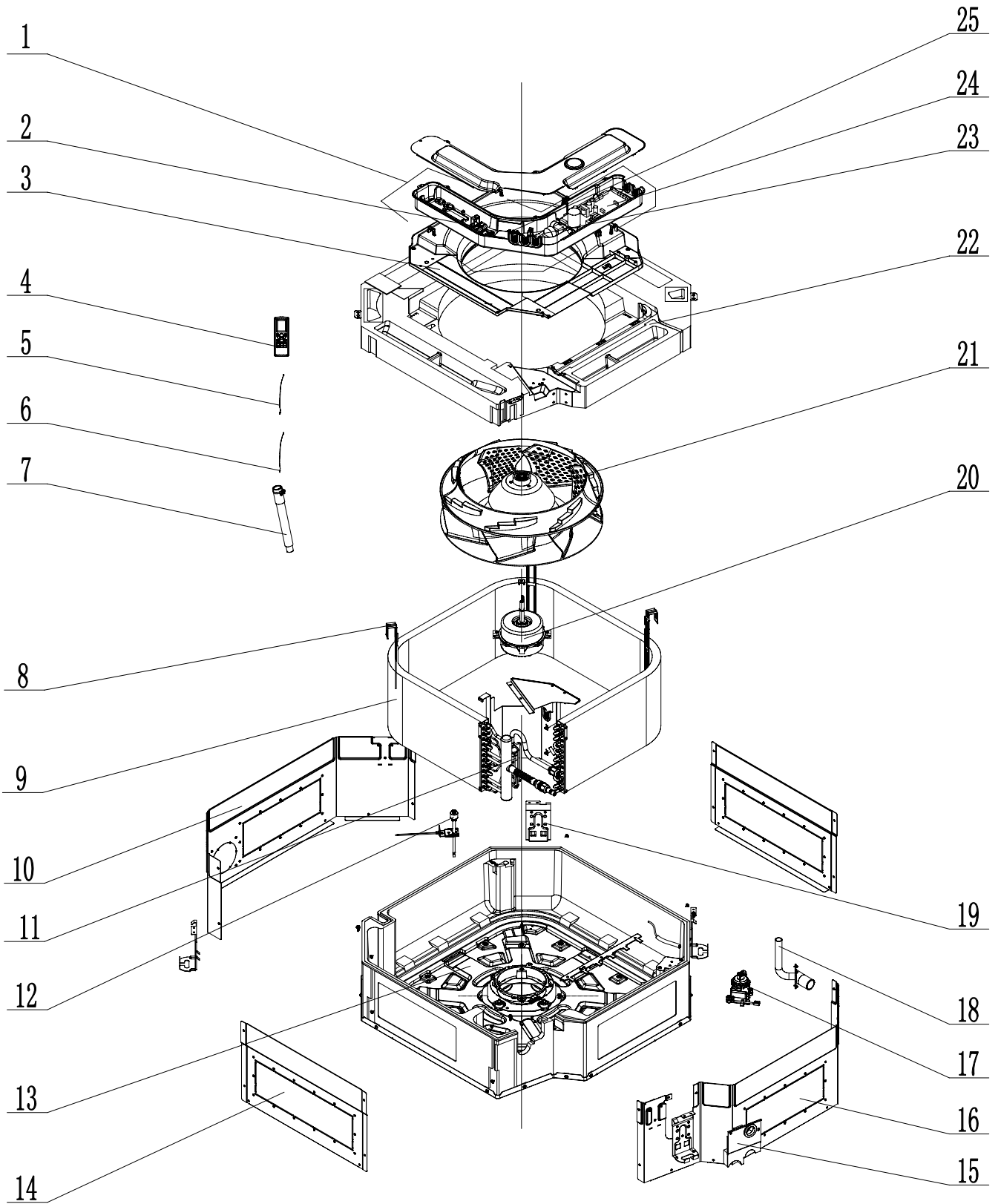
SPARE PARTS LIST



February 2023

GKH24S3GI

Exploded View



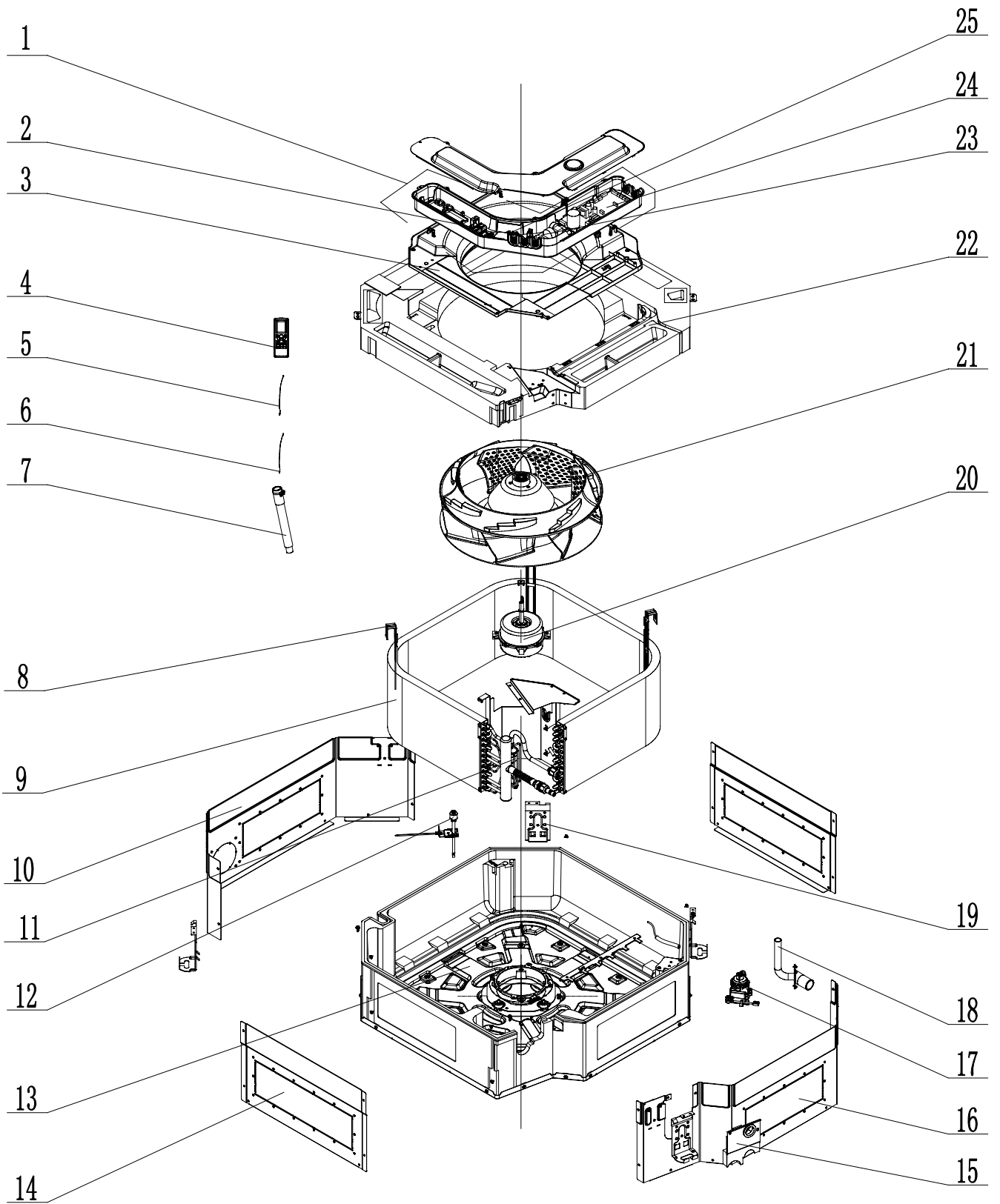
GKH24S3GI

Spare Parts List

No.	Part Description	Part Code
1	Electric Box Assy	100002000122
2	Terminal board	42000100000202
3	Diversion Circle	26909400067
4	Remote Controller	N/A
5	Tube sensor	39000286
6	Temperature Sensor	390000453
7	Drain Hose Sub-Assy	05232702
8	Fixed Mount 1(Evaporator)	01849400020
9	Evaporator Assy	011001000115
10	Side Plate 1	01319400049
11	Strainer	07213050
12	Liquid Level Switch	4502021601
13	Base Plate Sub-Assy	02229400011
14	Side Plate 3	01319400051
15	Seal plate Assy	01499400003
16	Side Plate 2	01319400050
17	Water Pump	43138000058
18	Drainage Pipe Sub-Assy	26909400055
19	Body Installing Plate	01332701
20	Brushless DC Motor	1570410000702
21	Centrifugal Fan	10429400004
22	Water Tray Assy	01289400025
23	Filter Board	30221000021
24	Main Board	30224000068
25	Terminal Board	4201025301

GKH36S3GI

Exploded View



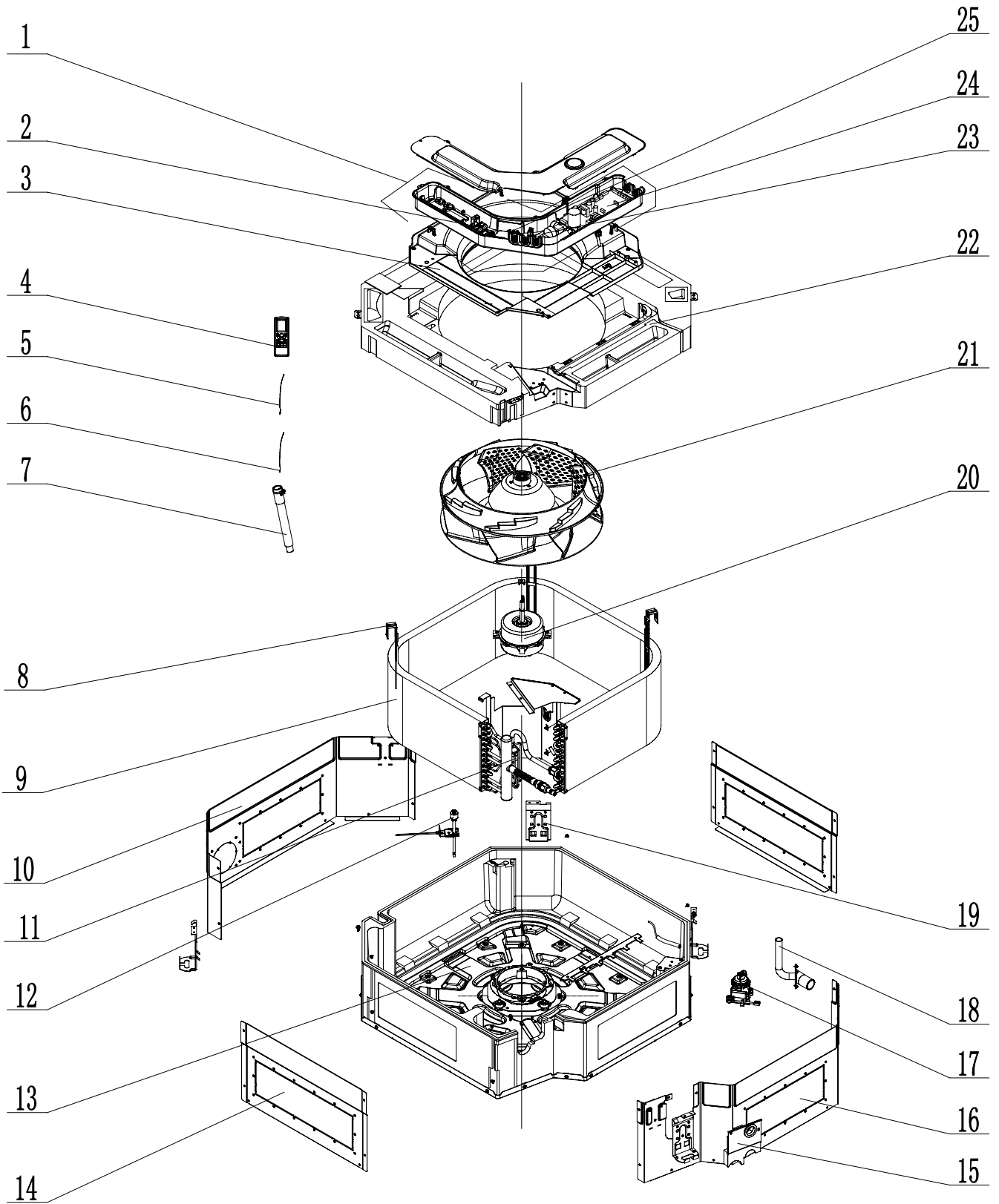
GKH36S3GI

Spare Parts List

No.	Part Description	Part Code
1	Electric Box Assy	100002000122
2	Terminal board	42000100000202
3	Diversion Circle	26909400067
4	Remote Controller	N/A
5	Tube sensor	39000286
6	Temperature Sensor	390000453
7	Drain Hose Sub-Assy	05232702
8	Fixed Mount 1(Evaporator)	01849400020
9	Evaporator Assy	011001000115
10	Side Plate 1	01319400049
11	Strainer	07213050
12	Liquid Level Switch	4502021601
13	Base Plate Sub-Assy	02229400011
14	Side Plate 3	01319400051
15	Seal plate Assy	01499400003
16	Side Plate 2	01319400050
17	Water Pump	43138000058
18	Drainage Pipe Sub-Assy	26909400055
19	Body Installing Plate	01332701
20	Brushless DC Motor	1570410000702
21	Centrifugal Fan	10429400004
22	Water Tray Assy	01289400025
23	Filter Board	30221000021
24	Main Board	30224000068
25	Terminal Board	4201025301

GKH42S3GI

Exploded View



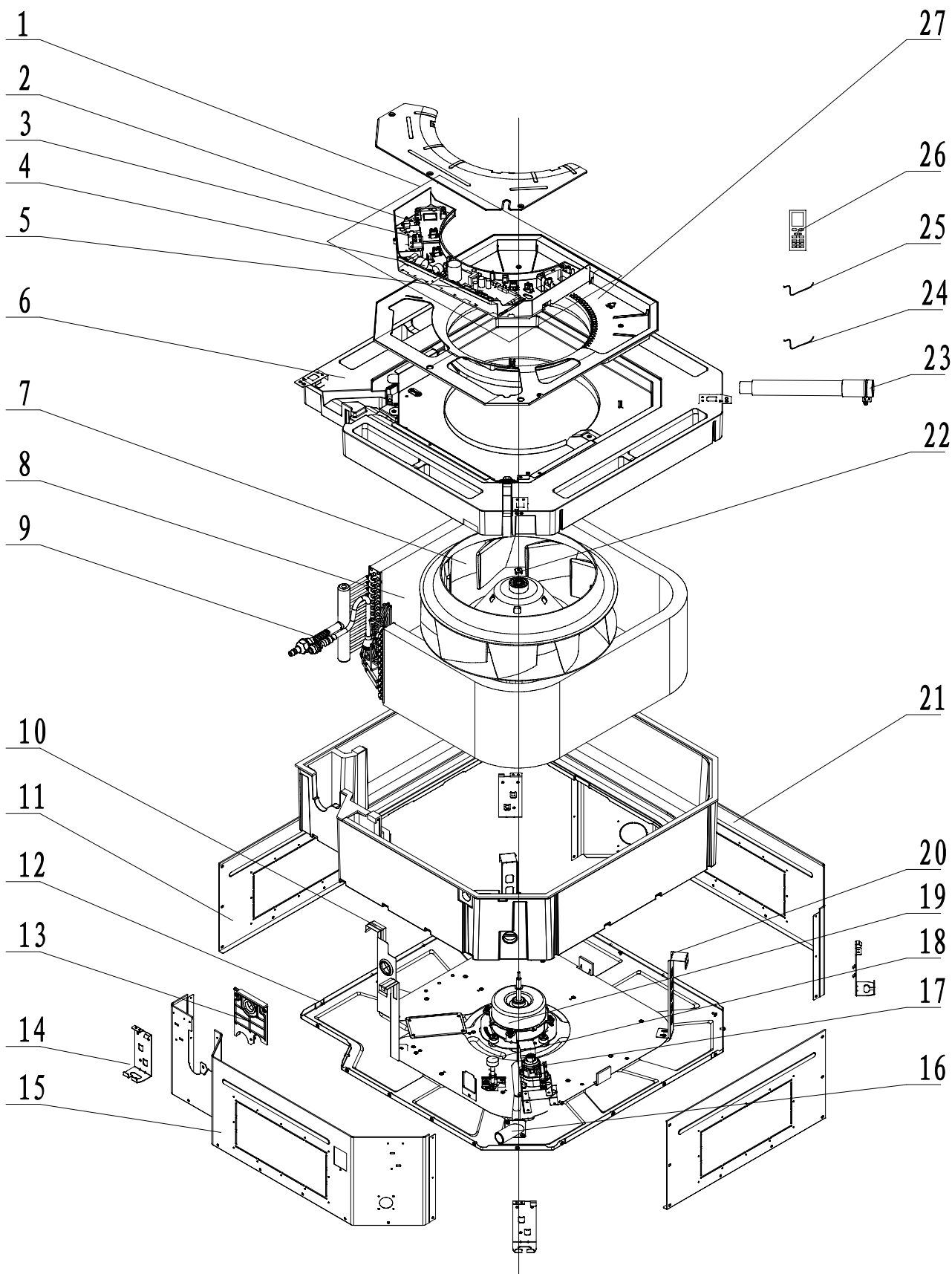
GKH42S3GI

Spare Parts List

No.	Part Description	Part Code
1	Electric Box Assy	100002000122
2	Terminal board	42000100000202
3	Diversion Circle	10479400002
4	Remote Controller	N/A
5	Tube sensor	39000286
6	Temperature Sensor	390000453
7	Drain Hose Sub-Assy	05339400001
8	Fixed Mount 1(Evaporator)	01849400007
9	Evaporator Assy	011001000078
10	Side Plate 1	01319400025
11	Strainer	07212403
12	Liquid Level Switch	4502021601
13	Base Plate Assy	02229400021
14	Side Plate 3	01319400036
15	Seal plate Assy	01499400001
16	Side Plate 2	01319400026
17	Water Pump	43138000058
18	Drainage Pipe Sub-Assy	26909400055
19	Body Installing Plate	01332701
20	Brushless DC Motor	15709400009
21	Centrifugal Fan	10429400003
22	Water Tray Assy	01289400026
23	Filter Board	30221000021
24	Main Board	30224000068
25	Terminal Board	4201025301

GKH48S3GI

Exploded View



GKH48S3GI

Spare Parts List

No.	Part Description	Part Code
1	Electric Box Assy	100002000255
2	Terminal board	42000100000202
3	Terminal Board	4201025301
4	Filter Board	300020000001
5	Main Board	300002000132
6	Water Tray Assy	000069000014
7	Centrifugal Fan	10429401
8	Evaporator Assy	01029400054
9	Strainer	07212403
10	Connection Sheet Sub-Assy	01349400002
11	Right and Left Side Plate	01319448
12	Seat Board Sub-Assy	02229400001
13	Tube Exit Plate Sub-assy	02229400002
14	Body Installing Plate	01329420
15	Front Side Plate	01319447
16	Pump Drainpipe	200070000003
17	Water Pump	43138000058
18	Liquid Level Switch Sub-assy	45018000001
19	Brushless DC Motor	15709400009
20	Evaporator Support	01849406
21	Rear Side Plate	01319446
22	Fan Fixer	10312701
23	Drain Hose Sub-Assy	05339400001
24	Temperature Sensor	390000453
25	Tube sensor	39000286
26	Remote Controller	N/A
27	Diversion Circle	10479401

It is the policy of Gree Australia to introduce continuous product improvements.
Accordingly, specifications are subject to change without notice.
Please consult with your dealer to confirm the specifications of the model selected.

1800 473 346
greeac.com.au

